

PD54



FEATURES 特点

- * Excellent solderability and high heat resistance
良好的可焊性和高耐热性

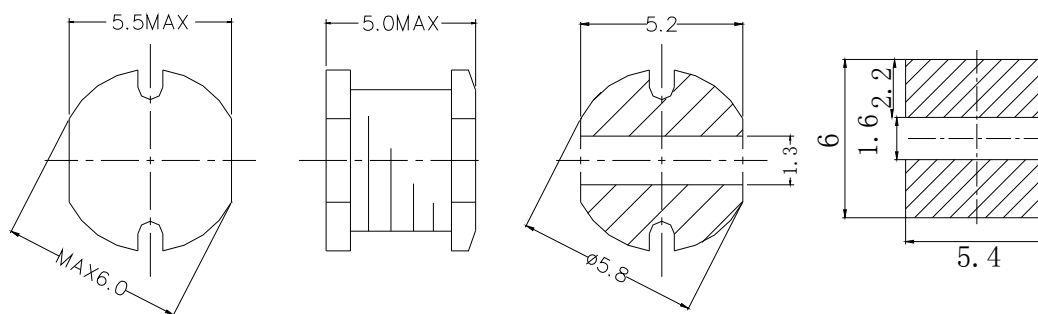
APPLICATION 用途

- * DC / DC转换器

MEASURING FREQUENCY 测试频率

- * 100KHz 0.3V

Shapes And Dimensions 外形及尺寸示意图



Electrical Characteristics 电气性能

Type 型号	Indicate 表示	Inductance 电感值	D.C.R(Max) 直流电阻(m)	Rated Current(Max) 额定电流(A)
PD54-100	100	10 μ H \pm 20%	0.10	1.44
PD54-120	120	12 μ H \pm 20%	0.12	1.40
PD54-150	150	15 μ H \pm 20%	0.14	1.30
PD54-180	180	18 μ H \pm 20%	0.15	1.23
PD54-220	220	22 μ H \pm 20%	0.18	1.11
PD54-270	270	27 μ H \pm 20%	0.20	0.97
PD54-330	330	33 μ H \pm 20%	0.23	0.88
PD54-390	390	39 μ H \pm 20%	0.32	0.80
PD54-470	470	47 μ H \pm 20%	0.37	0.72
PD54-560	560	56 μ H \pm 20%	0.42	0.68
PD54-680	680	68 μ H \pm 20%	0.46	0.61
PD54-820	820	82 μ H \pm 20%	0.60	0.58
PD54-101	101	100 μ H \pm 20%	0.70	0.52
PD54-121	121	120 μ H \pm 20%	0.93	0.48
PD54-151	151	150 μ H \pm 20%	1.10	0.40
PD54-181	181	180 μ H \pm 20%	1.38	0.38
PD54-221	221	220 μ H \pm 20%	1.57	0.35

* SPQ:2000PCS/REEL

The sample parameters are based on actual measured values